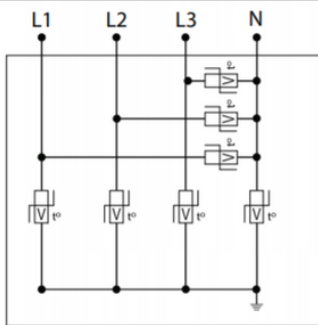


- UL TYPE 2 LISTED - I_{max} 192kA per phrase - I_n 20kA - NEMA Enclosure

80D



- I_{max} 105-220kA per phase
- UL1449 Type 1 Listed SPD
- I_n 20kA
- SCCR 200kA
- Real-Time LED indicators, Audible Alarm, Remote Contacts
- Smart Diagnostic Indicating % protection present
- NEMA 4 (Other options NEMA 12, NEMA 4X Stainless Steel)
- UL1283 EMI Filter (Option available)
- Surge Counter (Option available)



Electrical Characteristics		
POWER SPD TYPE		UL1449 TYPE 1/2 LISTED
VOLTS	(V)	480
AC/DC/DC PV/RF		AC
PHASE	(PH)	3D
AMPS	(A)	-
AMBIENT MIN	(C)	-35
AMBIENT MAX	(C)	+85
MODES		L-L, L-G
VPR	(V)	3000/-/1800/-
MCOV	(V)	1100/-/550/-
IN15 impulses 8/20μs	(kA)	20
IMAX8/20μs	(kA)	192
Mechanical Characteristics		
TECHNOLOGY		Multi-TMOV
NETWORK CONFIGURATION		3PH, 3W+G, Delta
CONNECTION METHOD		36" #10 AWG LEADS
MOUNTING		FLANGE MOUNT
MATERIAL		Steel
NEMA RATING (IP RATING)		3R/4/12
FAIL-SAFE BEHAVIOR		Yes, no upstream over current protection required
REAL-TIME DIAGNOSTICS		% of protection present LED, audible alarm and remote contacts. Optional surge counter.
DIMENSIONS		See diagram (mm)
WEIGHT		6 lbs
Standards		
UL STANDARD		UL1449 5th Edition
UL CATEGORY		VZCA, VZCA7
UL FILE NUMBER		E326289
STANDARDS		NOM-003-SCFI-2014, NOM-001-SCFI-1993
ENVIRONMENTAL STANDARDS		ROHS
Part number		
890170		